

T.I.S.

PN 10 - Art. A013 TIS1

SARACINESCA A GHIGLIOTTINA BIDIREZIONALE ASTA SALIENTE PN10

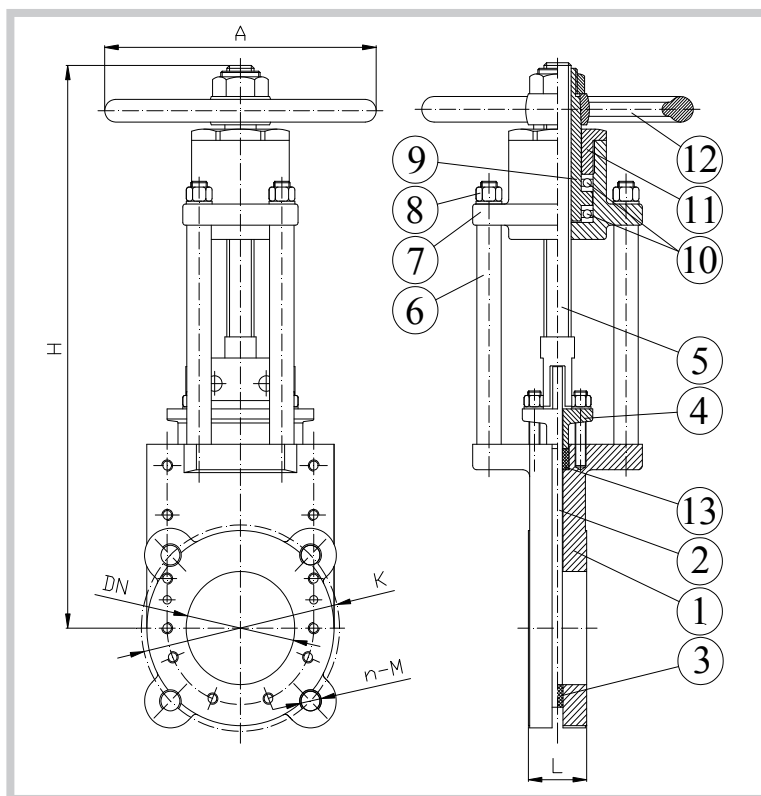
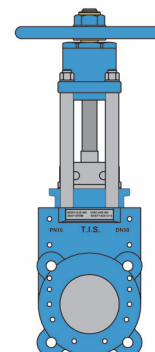
KNIFE GATE VALVE BIDIRECTIONAL TYPE RISING STEM PN10

APPLICAZIONE:

Fornitura e distribuzione acqua, trattamento acque reflue e sistemi fognari, settori industriali.

APPLICATION:

Water supply and distribution, waste water treatment and sewerage.



NORMA PROGETTO:

EN 1171

SCARTAMENTO:

EN 558 Serie 20

FLANGE:

Forate secondo EN 1092-2

COLLAUDI:

EN 12266-1

TEMP. ESERCIZIO:

Max. +70°C

DESIGN STANDARD:

EN 1171

FACE TO FACE:

EN 558 Series 20

FLANGES:

Drilled according to EN 1092-2

TESTS:

EN 12266-1

WORKING TEMP.:

Max +70°C

PRESSIONI D'ESERCIZIO/WORKING PRESSURE:

DN50-300 PN10

DN350-400 PN8

DN450-DN600 PN6

DENOMINAZIONE PART	MATERIALI MATERIALS
1 CORPO BODY	EN-GJS 400-15 EN-GJS 400-15
2 PARATIA KNIFE	ACC.INOX AISI 304 (EN 1.4301) SS AISI 304 (EN 1.4301)
3 GUARNIZIONE GASKET	GOMMA NBR NBR RUBBER
4 PREMISTOPPA PACKING GLAND	EN-GJS 400-15 EN-GJS 400-15
5 ASSE STEM	ACC.INOX AISI 420 (EN 1.4021) SS AISI 420 (EN 1.4021)
6 SUPPORTO TIE ROD	ACCIAIO INOX STAINLESS STEEL
7 COPERCHIO COVER	EN-GJS 400-15 EN-GJS 400-15
8 DADO NUT	ACCIAIO INOX STAINLESS STEEL
9 MADREVITE STEM NUT	OTTONE BRASS
10 CUSCINETTO BEARING	—
11 BOCCOLA DI TENUTA PACKING GLAND	OTTONE BRASS
12 VOLANTINO HANDWHEEL	EN-GJL 250 EN-GJL 250
13 BADERNA PACKING	PTFE PTFE

DN	K	n-M	L	H	W	W (kg)
50	125	4-M16	43	337	180	9
65	145	4-M16	46	357	180	11
80	160	8-M16	46	400	200	13
100	180	8-M16	52	466	250	17
125	210	8-M16	56	531	300	26
150	240	8-M20	56	633	300	32
200	295	8-M20	60	744	350	44
250	350	12-M20	68	940	400	70
300	400	12-M20	78	1087	500	97
350	460	16-M20	78	1238	500	140
400	515	16-M24	102	1394	600	207
450	565	20-M24	114	1550	600	250
500	620	20-M24	127	1700	600	300
600	725	20-M27	154	1820	600	400

RIVESTIMENTO ESTERNO/INTERNO: Polvere epossidica di colore blu RAL 5017 con spessore 200µm.

SURFACE PROTECTION: FBE coating process with epoxy resin powder of blue colour RAL 5017 and thickness of 200µm.